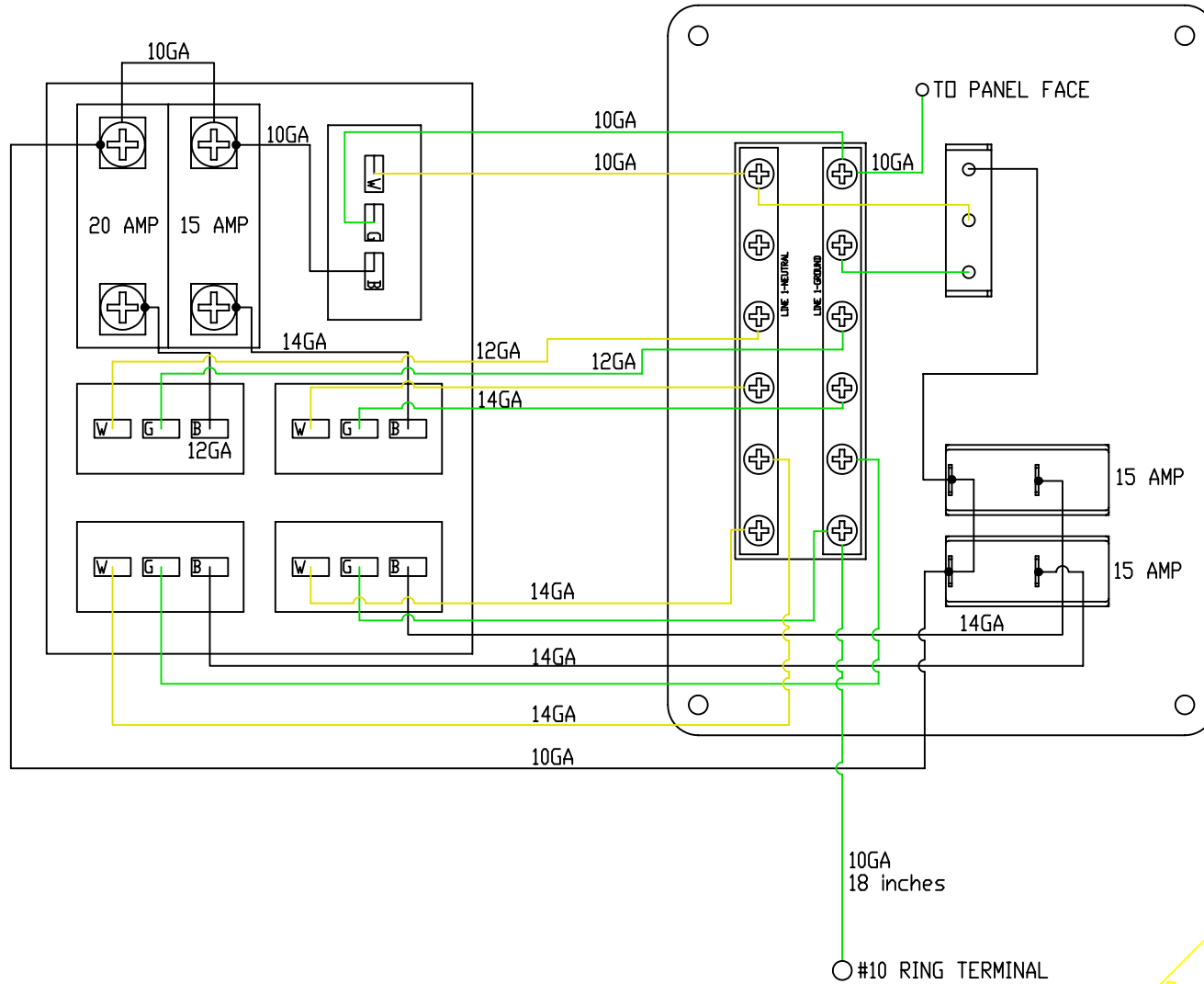


NOTE: BREAKER VALUES SHOWN ARE FOR 120V PANEL VERSION.

SYMBOL	REVISIONS	DATE	ENG
A	ADD GROUND TO PANEL FACE	7/30/2004	JLK




BREAKER LIST (120V):

- BATTERY CHARGER - 15 AMPS, ETA 3130
- WATER HEATER - 15 AMPS, ETA 3130
- OUTLETS - 15 AMPS, SERIES 'A'
- MICROWAVE - 20 AMPS, SERIES 'A'

BREAKER LIST (230V):

- BATTERY CHARGER - 10 AMPS, ETA 3130
- WATER HEATER - 10 AMPS, ETA 3130
- OUTLETS - 10 AMPS, SERIES 'A'
- MICROWAVE - 15 AMPS, SERIES 'A'

PROPRIETARY INFORMATION THIS DRAWING CONTAINS INFORMATION FOR WHICH HUNTER MARINE CORPORATION HAS PROPRIETARY RIGHTS

		HUNTER		27	
DRAWING TITLE: AC PANEL SCHEMATIC					
DRAWN BY: JLK		DATE: 07-Jun-04		SHEET 1 OF 1	
SCALE: 1.000		HUNTER PART NO: TBD		REVISION: - DRAW # PANEL_AC_H27_BACKSIDE	

CHECKED