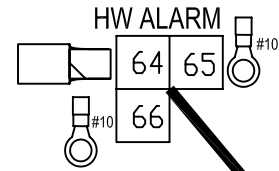
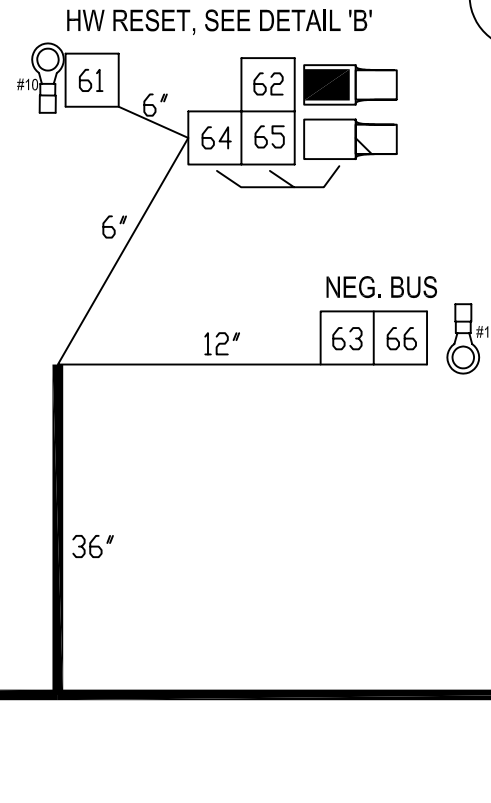
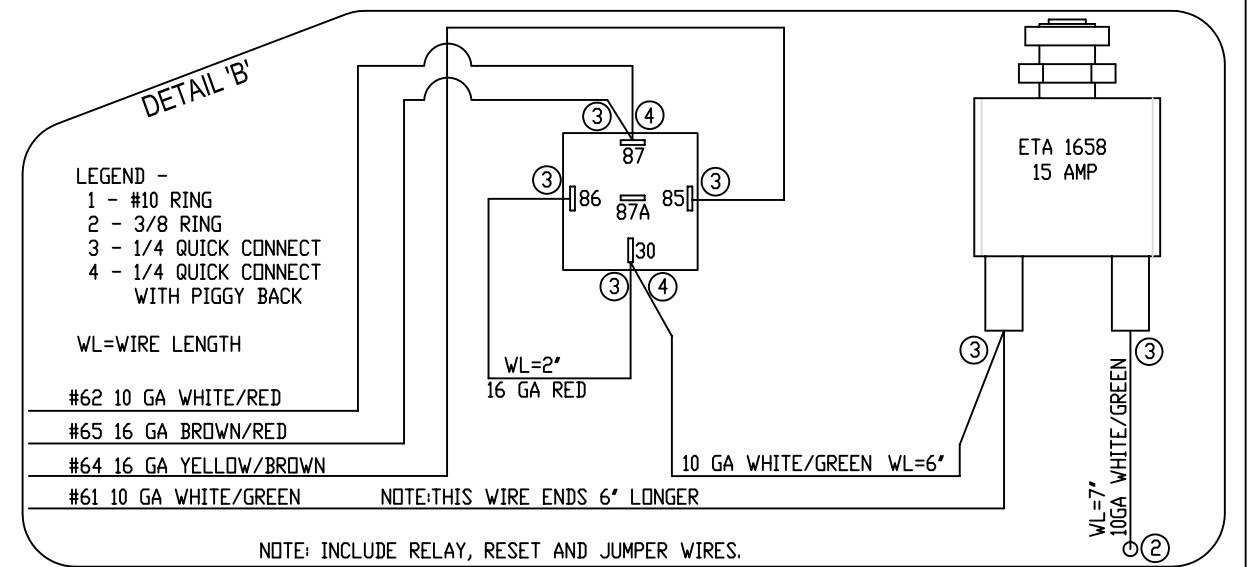
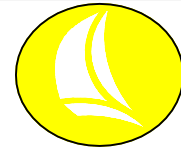


WIRE#	GAUGE	COLOR	LENGTH	DESCRIPTION
61	10	WHITE/GREEN	144"	HW PUMP AUTO
62	10	WHITE/RED	138"	HW PUMP MANUAL
63	10	YELLOW	144"	HW PUMP NEG
64	16	YELLOW/BROWN	210"	HW RELAY SW
65	16	BROWN/RED	210"	HW ALARM IND
66	16	YELLOW	216"	HW ALARM NEG
--	16	RED	2"	JUMPER
--	10	WHITE/GREEN	6"	JUMPER
--	10	WHITE/GREEN	7"	JUMPER



- = CONDUIT
- BARREL
- #10 RING
- 1/4" RING
- 5/16" RING
- 3/8 RING
- 1/4 SLIDE
- 1/4 SLIDE W/PIGGYBACK

PROPRIETARY INFORMATION: THIS DRAWING CONTAINS INFORMATION FOR WHICH HUNTER MARINE CORPORATION HAS PROPRIETARY RIGHTS.



HUNTER 27

DRAWING TITLE:
HIGH WATER PUMP OPTION

DRAWN BY: JLK	DATE: 29-June-06	SHEET 1	OF 1
SCALE: 0.045	HUNTER PART NO. 1013294	REVISION -	DRAW # drawing number