



HUNTER

27

DRAWING TITLE:

PANEL SCHEMATIC, DC ONLY

DRAWN BY:

JLK

DATE:

22-Jul-04

SHEET

1

OF

1

SCALE:

1.000

HUNTER PART NO.

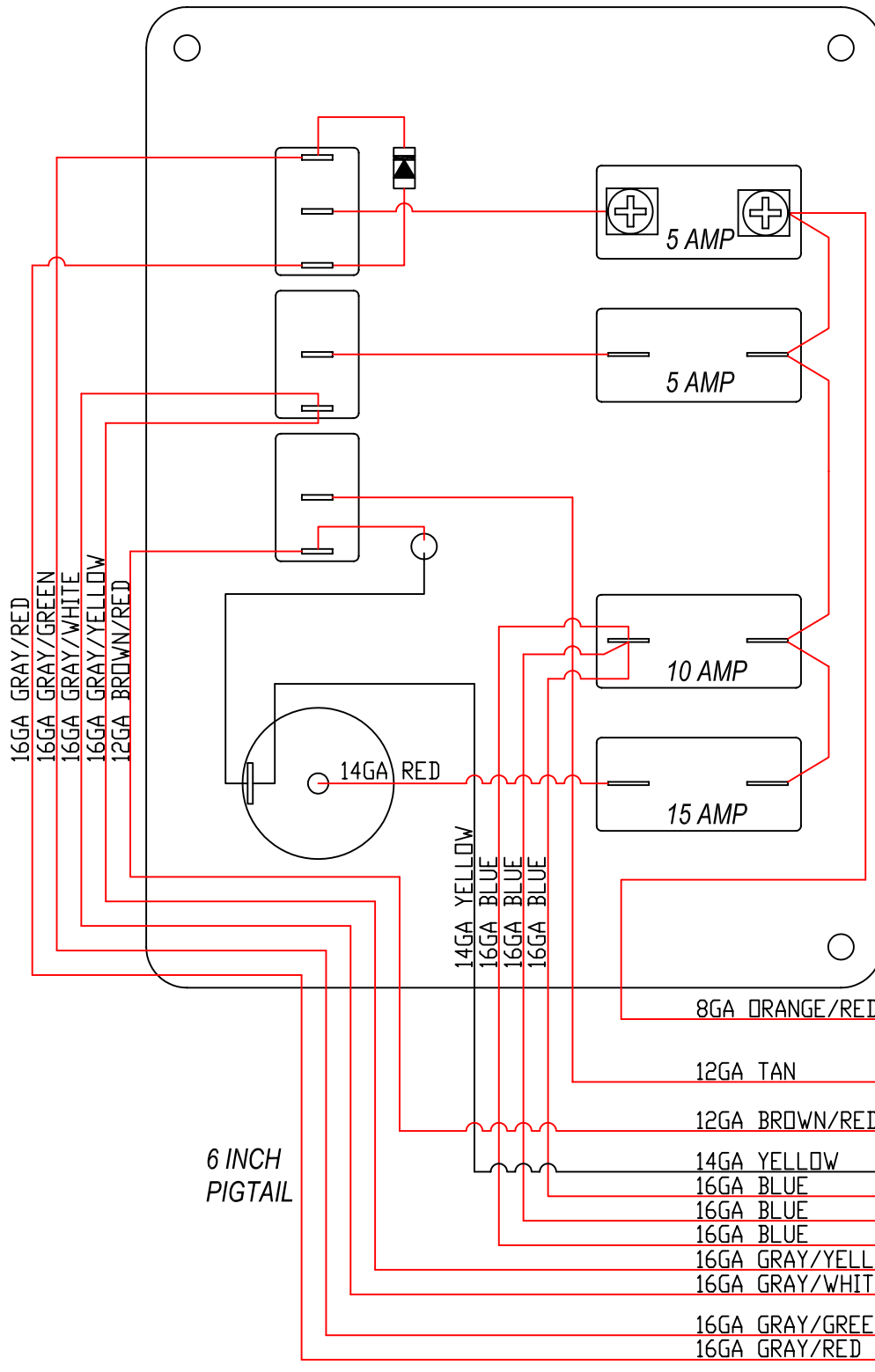
TBD

REVISION

B

DRAW #

H27_PANEL_SCH_DC_ONLY



PP POWERPOLE, PP75

C4

C3

C2

C1

DEUTSCH DTP, MALE HOUSING W/FEMALE PINS

B6

B5

B4

B3

B2

B1

DEUTSCH DT, MALE HOUSING W/FEMALE PINS

A2

A1

DEUTSCH DT, MALE HOUSING W/FEMALE PINS