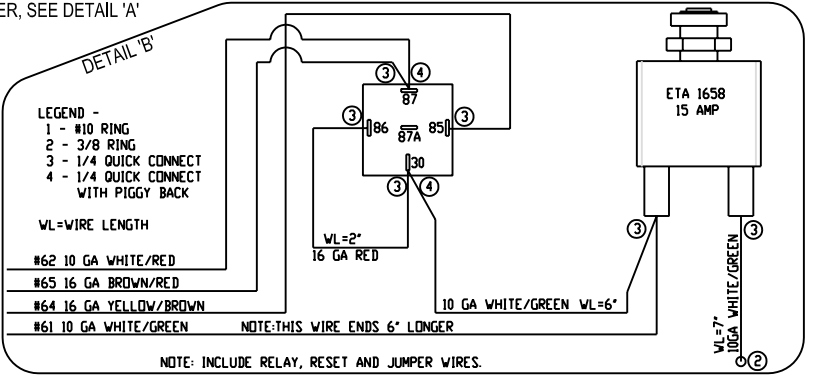
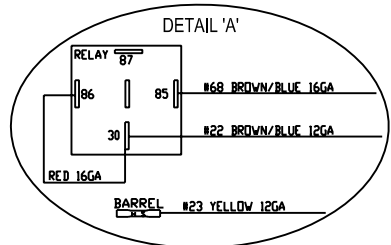
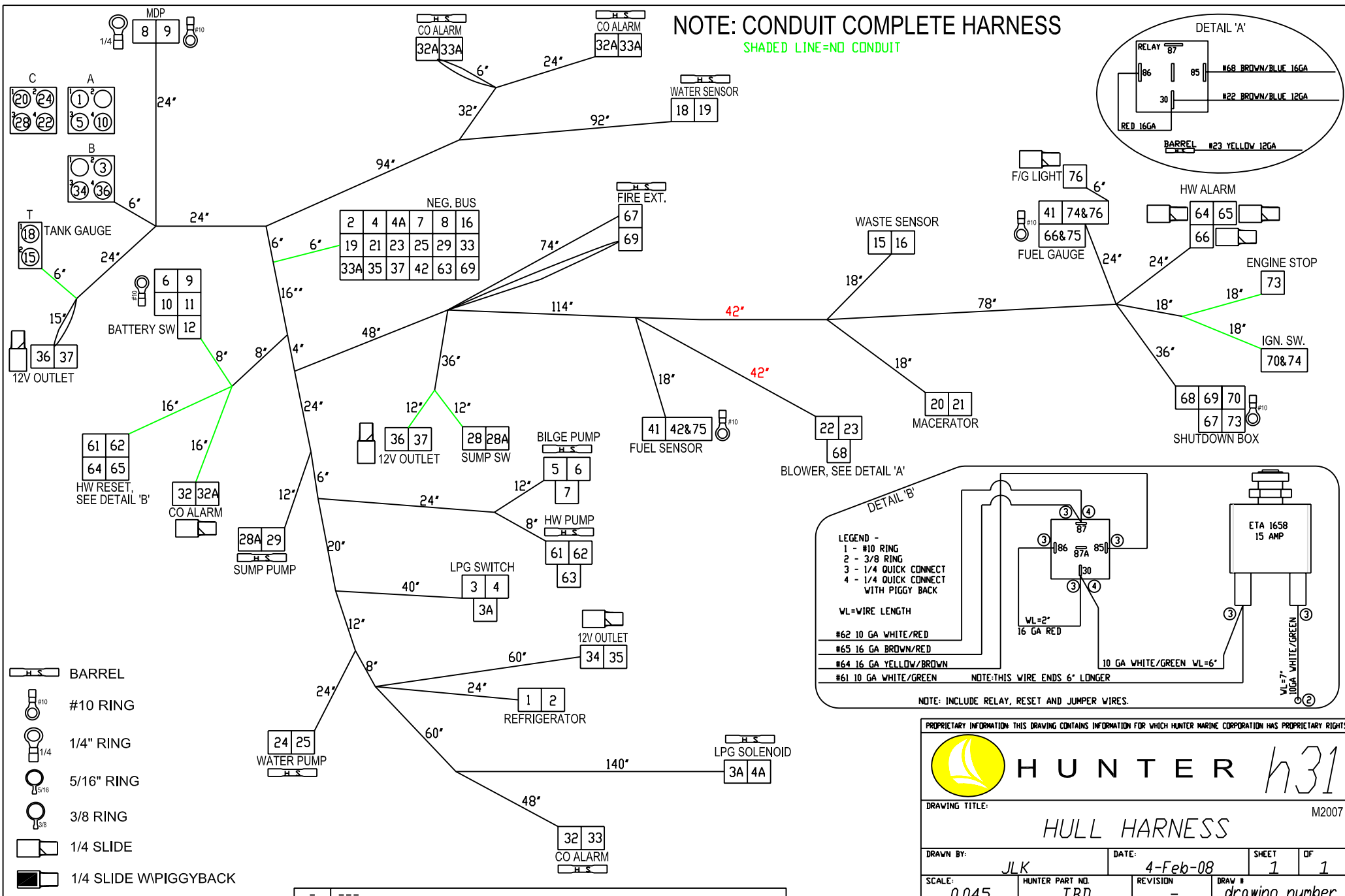


NOTE: CONDUIT COMPLETE HARNESS

SHADED LINE=NO CONDUIT



- BARREL
- #10 RING
- 1/4" RING
- 5/16" RING
- 3/8 RING
- 1/4 SLIDE
- 1/4 SLIDE WPIGGYBACK

PROPRIETARY INFORMATION: THIS DRAWING CONTAINS INFORMATION FOR WHICH HUNTER MARINE CORPORATION HAS PROPRIETARY RIGHTS.

HUNTER *h31*

DRAWING TITLE: **HULL HARNESS** M2007

DRAWN BY: *JLK* DATE: *4-Feb-08* SHEET *1* OF *1*

SCALE: *0.045* HUNTER PART NO: *TBD* REVISION: *-* DRAW # *drawing number*