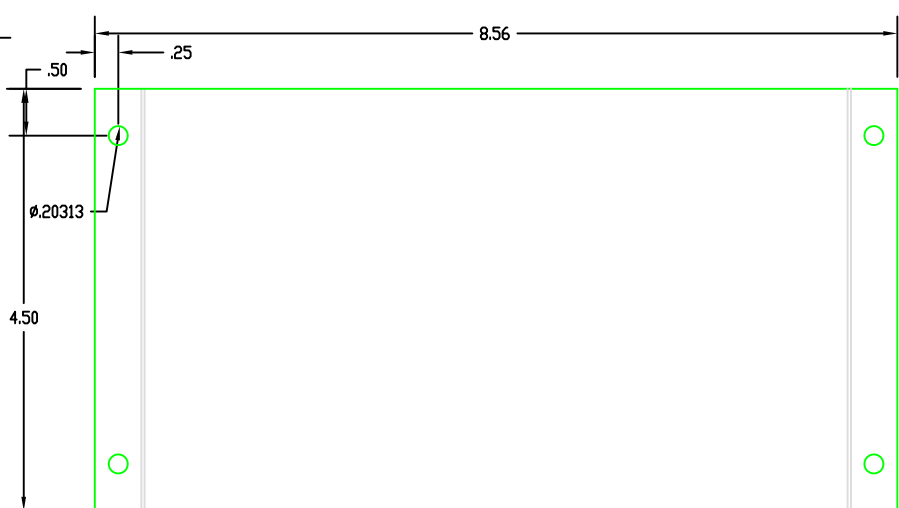
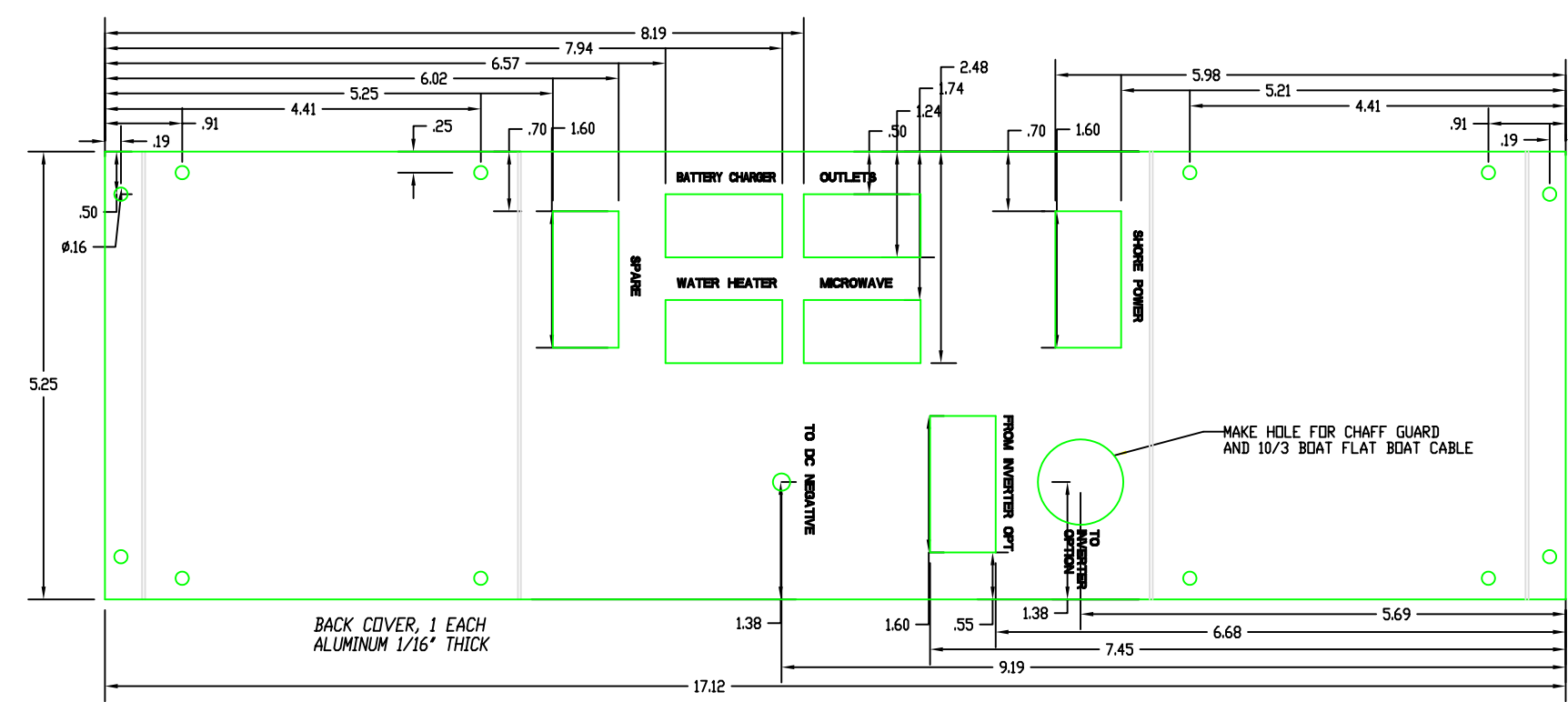
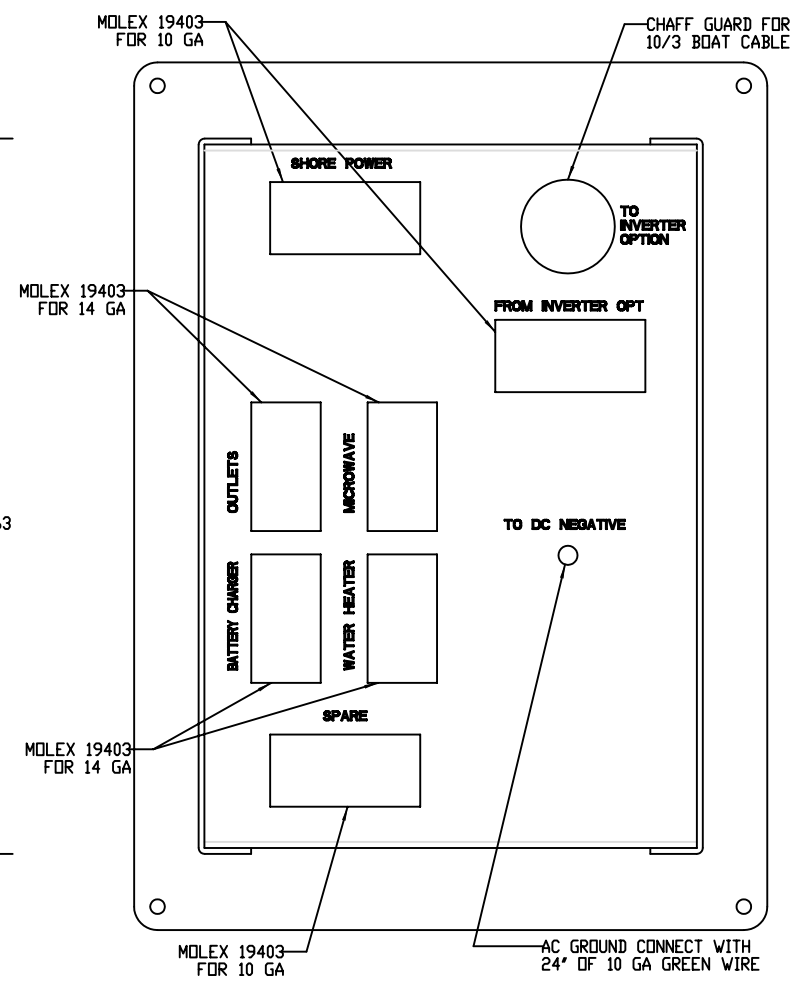
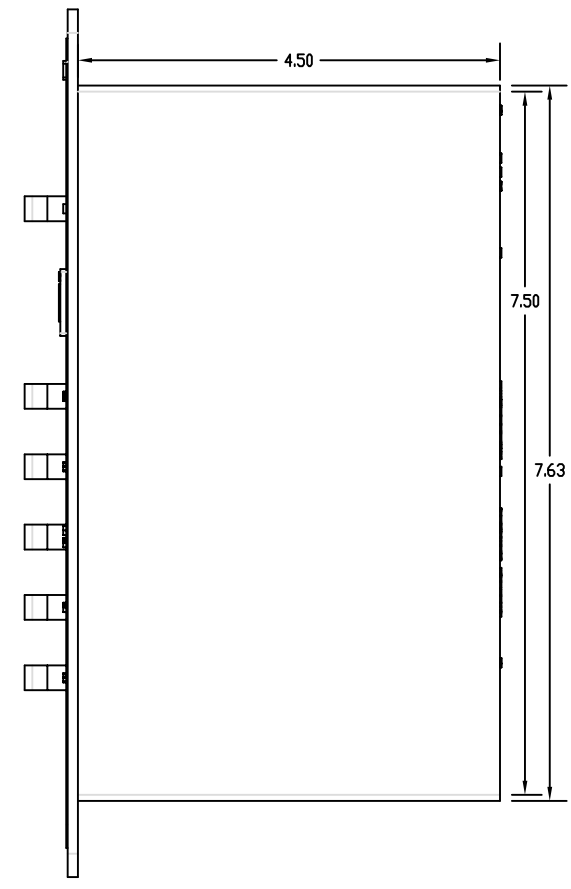
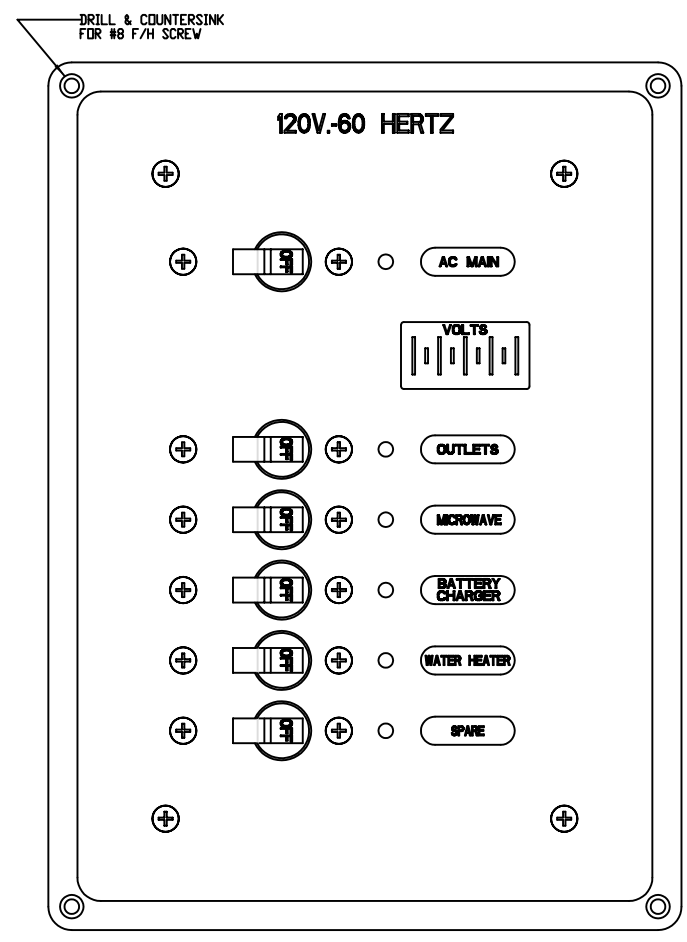
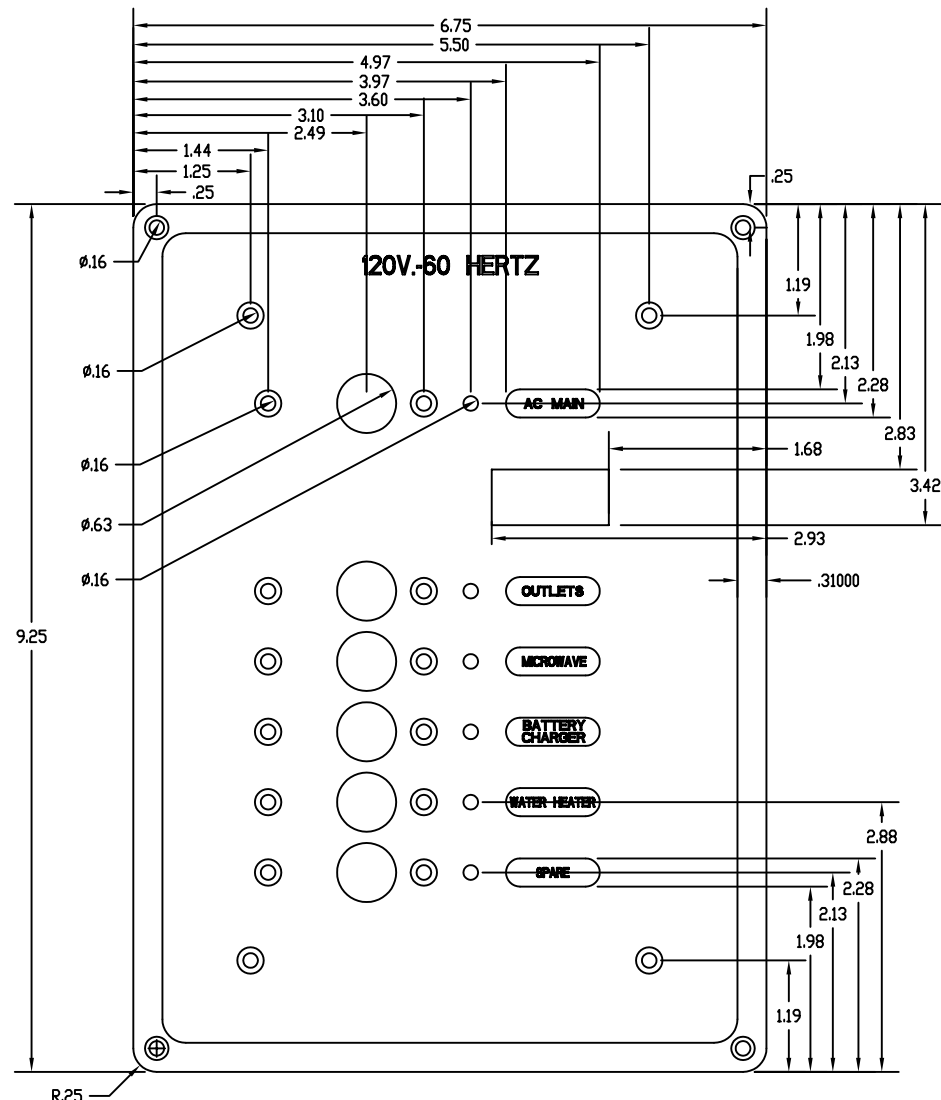


SYMBOL	REVISIONS	DATE	ENG
A	CHANGE AIR CONDITIONER TO SPARE	12/16/2004	JLK
B	DELETE MOLEX CONNECTOR KIT	3/5/2007	JLK



- BREAKER LIST TO BE SUPPLIED WITH PANEL FOR 120V-60 HERTZ VERSION:**
- AC MAIN .30 AMP
 - OUTLETS .15 AMP
 - MICROWAVE .15 AMP
 - BATTERY CHARGER .15 AMP
 - WATER HEATER .15 AMP
 - SPARE .25 AMP

- NOTE:**
1. PANEL MATERIAL - 1/8" ALUMINUM
 2. PANEL COLOR/FINISH - FLAT CARBON BLACK WITH GLOSSY BLACK BORDER
 3. BACK LIGHTING COLOR - RED LED
 4. AC MAIN INDICATOR - RED LED
 5. BREAKER INDICATOR LIGHTS - RED LED
 6. BREAKER HANDLE COLOR - BLACK
 6. SEE ELECTRICAL SCHEMATIC FOR BACKSIDE

BACK COVER, 1 EACH ALUMINUM 1/16" THICK

SIDE BACK COVER, 2 EACH ALUMINUM 1/16" THICK

PROPERTY INFORMATION THIS DRAWING CONTAINS INFORMATION FOR WHICH HUNTER MADE CONTRIBUTION HAS PROPRIETARY RIGHTS

HUNTER 31

DRAWING TITLE: **PANEL, 120VAC**

DRAWN BY: **JLK** DATE: **07-11-04** SHEET: **1** OF: **1**

SCALE: **1:00** PART NUMBER: **TBD** REVISION: **-** DRAWN BY: **JLK**

PANEL AC H30 V2