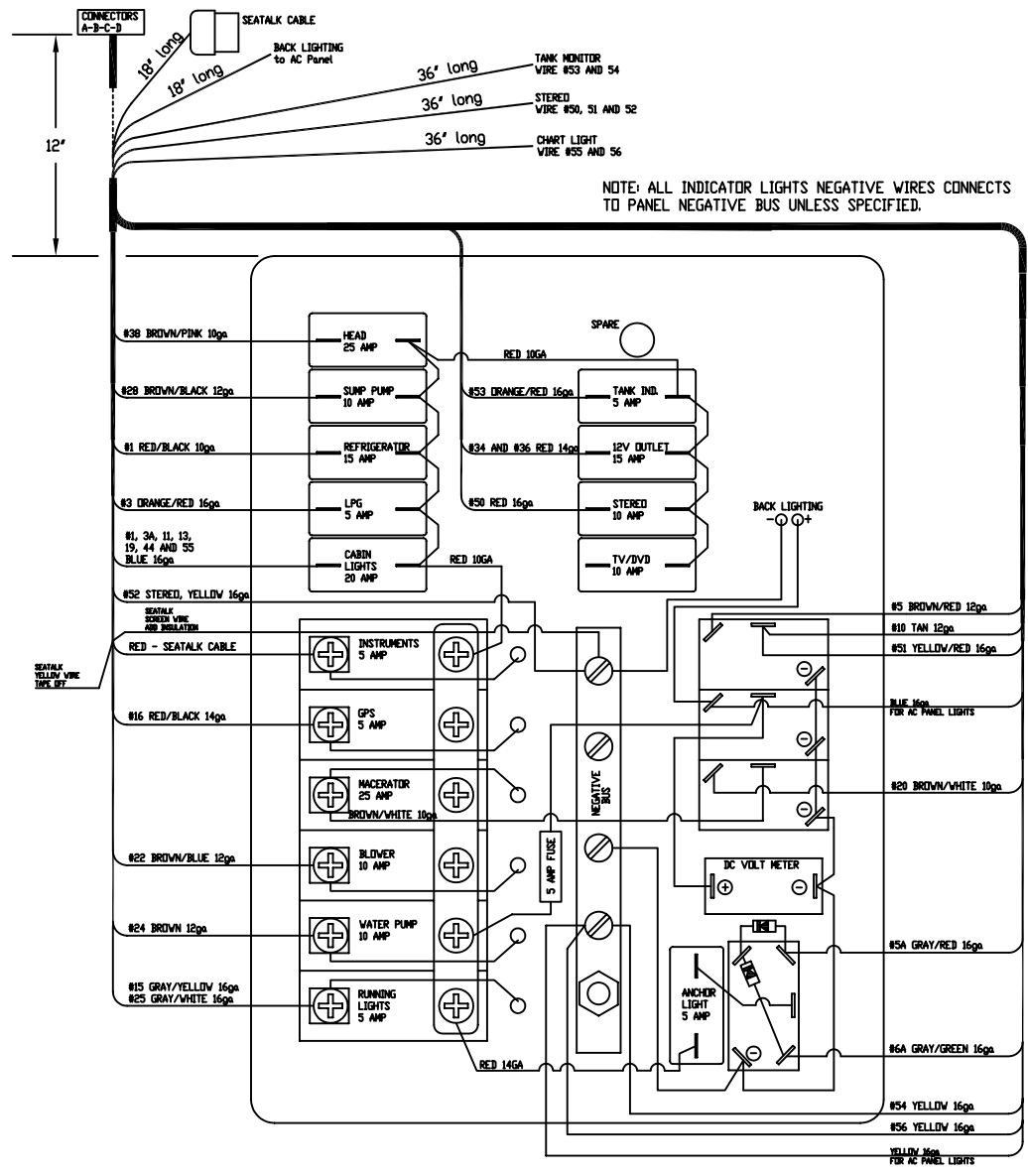
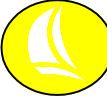


SYMBOL	REVISIONS	DATE	ENG
A	ORIGINAL RELEASE	8/18/06	JLK
B	FLIP FLOP MACERATOR AND GPS	10/3/06	JLK
C	ADD SECOND DIODE TO ANCHOR LIGHT SWITCH	4/26/07	JLK
D	REDIRECT SECOND DIODE	5/3/07	JLK



PROPRIETARY INFORMATION THIS DRAWING CONTAINS INFORMATION FOR WHICH HUNTER MARINE CORPORATION HAS PROPRIETARY RIGHTS.



HUNTER 33-36

DRAWING TITLE: DC PANEL SCHEMATIC

DRAWN BY: JLK DATE: 18-Aug-06 SHEET 1 OF 1

SCALE: 0.625 HUNTER PART NO. TBD REVISION - DRAW # - - -

CHECKED