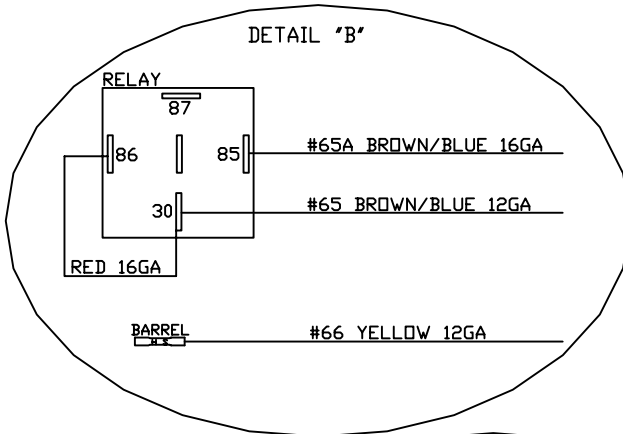
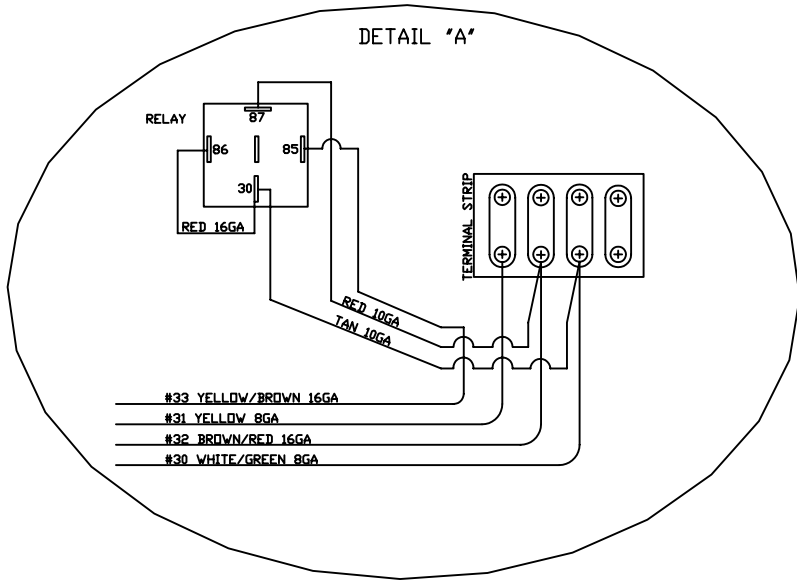


SYMBOL	REVISIONS	DATE	ENG



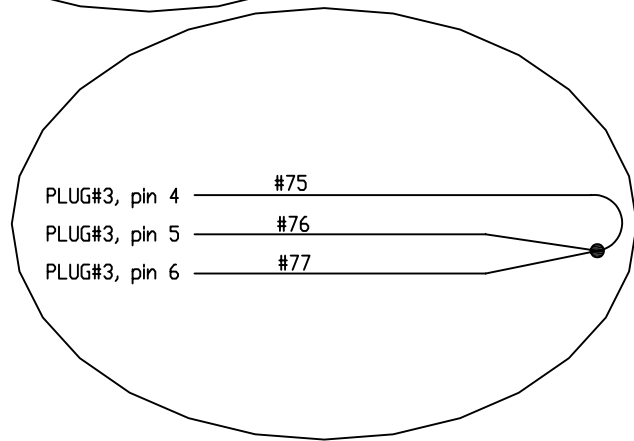
CONNECTOR TYPES

CONN. A	Deutsch DTP 4-pin, male housing w/female pins
CONN. C	Deutsch DT 6-pin, male housing w/female pins
CONN. T	Deutsch DT 2-pin, female housing w/male pins

CONN. A	WIRE #	CONN. C	WIRE #	CONN. T	WIRE #
1	22	1	21	1	3
2	27	2	19	2	9
3	23	3	18		
4	26	4	24		
		5	25		
		6	28		

DEUTSCH DT 2-PIN MALE HOUSING W/FEMALE PINS

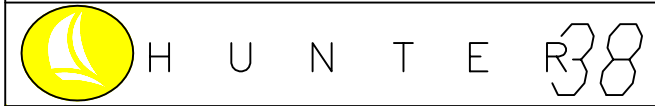
CONN. G	WIRE #
1	19
2	20



CONNECTOR TYPE - AMP MODEL #207485-1

PLUG#1	WIRE #	PLUG#2	WIRE #	PLUG#3	WIRE #	PLUG#4	WIRE #
1	#37	1	#42	1	#86	1	#101
2	---	2	---	2	---	2	#96
3	#14	3	---	3	#73	3	#98
4	#15	4	#45	4	#75	4	#103
5	#18	5	#46	5	#76	5	---
6	#21	6	#47	6	#77	6	#107
7	---	7	#51	7	#88	7	#109
8	---	8	---	8	#78	8	#111
9	#12	9	#55	9	#80	9	---
10	#27	10	#63	10	---	10	---
11	#28	11	#57	11	#84	11	#120
12	#22	12	#67	12	---	12	#122
13	---	13	---	13	---	13	---
14	---	14	---	14	#53	14	---
15	#36	15	#65	15	---	15	---
16	---	16	---	16	---	16	---

PROPRIETARY INFORMATION THIS DRAWING CONTAINS INFORMATION FOR WHICH HUNTER MARINE CORPORATION HAS PROPRIETARY RIGHTS.



DRAWING TITLE: DC HULL HARNESS

DRAWN BY: JLK DATE: 28-Apr-05 SHEET 2 OF 2

SCALE: 0.026 HUNTER PART NO: TBD REVISION: B DRAW #