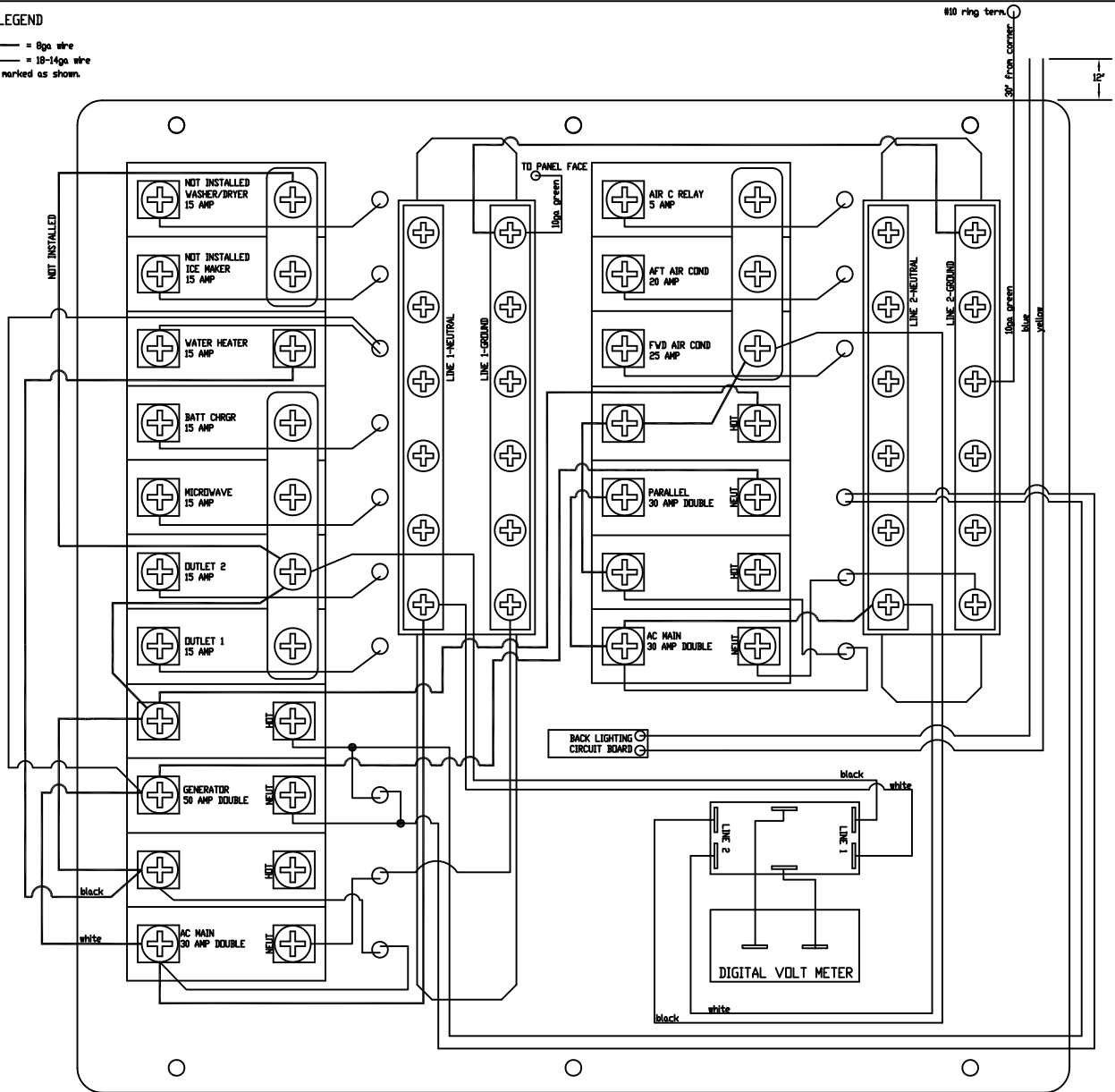


LEGEND

— = 8ga wire
 — = 10-14ga wire
 10ga marked as shown.



| SYMBOL | REVISIONS | DATE | ENG |
|--------|-----------|------|-----|
| | | | |

NOTE: ALL INDICATOR LIGHTS NEUTRAL WIRES CONNECTS TO EITHER LINE 1 OR LINE 2 NEUTRAL BUS UNLESS SPECIFIED.

BREAKER LIST FOR 120V PANEL -

- AC MAIN - 30 AMP
- GENERATOR - 50 AMP
- OUTLETS - 15 AMP
- MICROWAVE - 15 AMP
- BATTERY CHARGER - 15 AMP
- WATER HEATER - 15 AMP
- FWD AIR COND. - 25 AMP
- AFT AIR COND. - 20 AMP
- AIR COND. RELAY - 5 AMP

BREAKER LIST FOR 240V PANEL -

- AC MAIN - 15 AMP
- GENERATOR - 30 AMP
- OUTLETS - 10 AMP
- MICROWAVE - 10 AMP
- BATTERY CHARGER - 10 AMP
- WATER HEATER - 10 AMP
- FWD AIR COND. - 15 AMP
- AFT AIR COND. - 10 AMP
- AIR COND. RELAY - 5 AMP

PROPRIETARY INFORMATION THIS DRAWING CONTAINS INFORMATION FOR WHICH HUNTER MARINE CORPORATION HAS PROPRIETARY RIGHTS.



DRAWING TITLE:

PANEL, AC WITH DIGITAL METER

| | | | |
|------------------|------------------------|---------------|------------------------------|
| DRAWN BY: JLK | DATE: June-18-2009 | SHEET 1 | OF 2 |
| SCALE: 0.750 | HUNTER PART NO. TBD | REVISION - | DRAW # 39_ac_panel_sch-v2 |