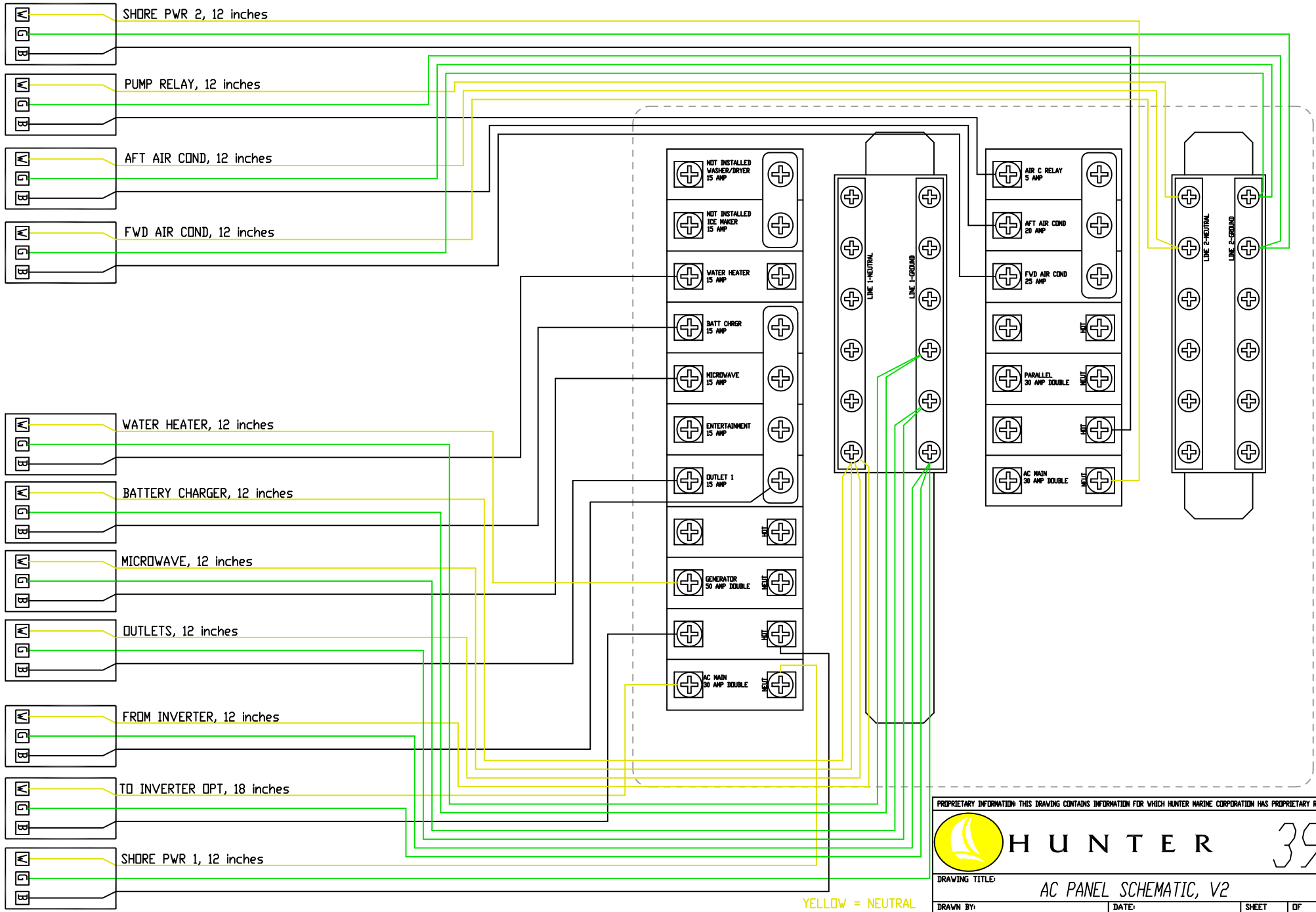



MOLEX SC SERIES



NOTE: LENGTHS OF BRANCH CIRCUITS MEASURED FROM BOTTOM OF PANEL.

YELLOW = NEUTRAL  
 GREEN = GROUND  
 BLACK = HOT

PROPRIETARY INFORMATION THIS DRAWING CONTAINS INFORMATION FOR WHICH HUNTER MARINE CORPORATION HAS PROPRIETARY RIGHTS

 <b>HUNTER</b>		39	
DRAWN BY: JLK	DATE: July-22-2009	SHEET 2	OF 2
SCALE: 1.000	HUNTER PART NO. TBD	REVISION -	DRAW # PANEL_AC_H38_SCH_2008