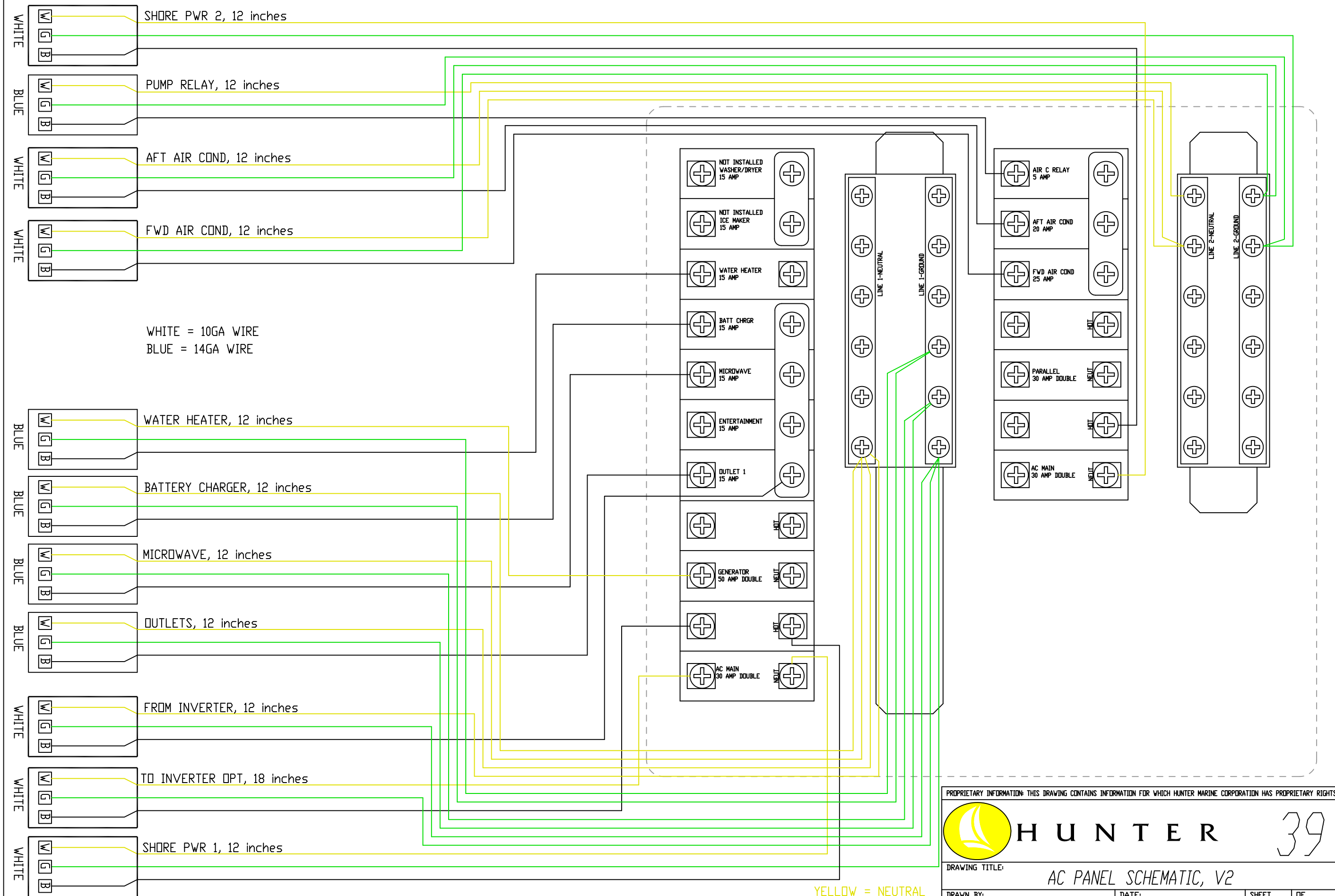


MOLEX SC SERIES



WHITE = 10GA WIRE  
 BLUE = 14GA WIRE

NOTE: LENGTHS OF BRANCH CIRCUITS MEASURED FROM BOTTOM OF PANEL.

PROPRIETARY INFORMATION: THIS DRAWING CONTAINS INFORMATION FOR WHICH HUNTER MARINE CORPORATION HAS PROPRIETARY RIGHTS.

**HUNTER** 39

DRAWING TITLE: AC PANEL SCHEMATIC, V2

DRAWN BY: JLK	DATE: July-22-2009	SHEET 2	OF 2
SCALE: 1.000	HUNTER PART NO. TBD	REVISION: -	DRAW # PANEL_AC_H38_SCH_2008