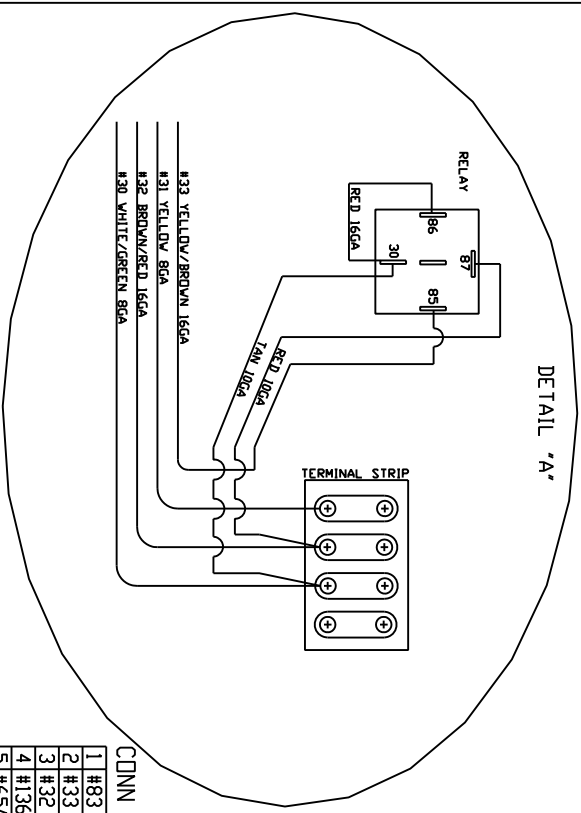
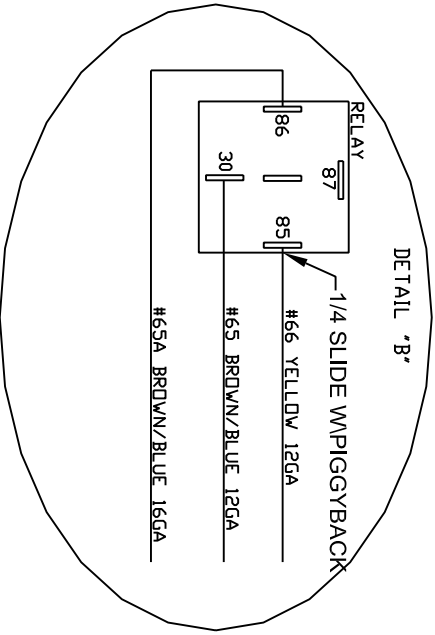


SYMBOL	REVISIONS	DATE	ENG

DETAIL 'A'



DETAIL 'B'



CONNECTOR TYPES

CONN. A	Deutsch DTP 4-pin, male housing w/female pins
CONN. C	Deutsch DT 6-pin, male housing w/female pins
CONN. T	Deutsch DT 2-pin, female housing w/male pins

CONN. A WIRE #	CONN. C WIRE #	CONN. T WIRE #
1	22	1
2	27	2
3	--	3
4	26	4
		5
		25
		28

CONN E = DEUTSCH DT MALE CONN. W/FEMALE PINS

- 1 #83 PINK (FUEL SENSOR)
- 2 #33 YELLOW/BROWN (HV PUMP RELAY)
- 3 #32 BROWN/RED (HV INDICATOR)
- 4 #136 YELLOW (NEG)
- 5 #65A BROWN/BLUE (BLOWER RELAY)
- 6 #92 BLACK/YELLOW (FIRE ENG. GND)

DEUTSCH DT 2-PIN MALE HOUSING W/FEMALE PINS

CONN. G	WIRE #
1	19
2	20

CONN F = DEUTSCH DT 12 PIN CONN. MN TRUNK TO BE MALE HOUSING W/FEMALE PINS

- 1 #84 RED (12V OUT (+))
- 2 #85A YELLOW (12V OUT (-))
- 3 #53 RED/BLUE (OD ALARM (+))
- 4 #54 YELLOW (OD ALARM (-))
- 5 #91 BLACK/RED (HALON GRD LOOP)
- 6 #82 YELLOW (FUEL SENSOR (-))
- 7 #24 YELLOW/RED (PAR. SOL. TO CONN. C)
- 8 #32 BROWN/RED (HV ALARM IND)
- 9 #33 YELLOW/BROWN (HV RELAY)
- 10 #136 YELLOW (SHUTDOWN BOX)
- 11 CAPPED
- 12 CAPPED

CONN J = DEUTSCH DTP 4 PIN CONN. MN TRUNK TO BE MALE HOUSING W/FEMALE PINS

- 1 #37 RED/WHITE (FREEZER (+))
- 2 #38 YELLOW (FREEZER (-))
- 3 #65 BROWN/BLUE (BLOWER (+))
- 4 #66 YELLOW (BLOWER (-))

CONN H = DEUTSCH DT 6 PIN CONN. MN TRUNK TO BE MALE HOUSING W/FEMALE PINS

- 1 #2 YELLOW (FWD H2O SENSOR (-))
- 2 #3 PINK/BLACK (FWD H2O SENSOR (+))
- 3 #120 GRAY/WHITE (BOW LIGHT (+))
- 4 #121 YELLOW (BOW LIGHT (-))
- 5 #134 BLUE (RT MN SPKR(+))
- 6 #135 BLACK (RT MN SPKR (-))

CONNECTOR TYPE: PLUG 1-3 = DEUTSCH DTP 4-PIN FEMALE HOUSING W/MALE PINS
 PLUG 4 = DEUTSCH DT 4-PIN FEMALE HOUSING W/MALE PINS
 PLUG LS = DEUTSCH DT 2-PIN MALE HOUSING W/FEMALE PINS

PLUG#1	WIRE #	PLUG#2	WIRE #	PLUG#3	WIRE #	PLUG#4	WIRE #	PLUG#LS	WIRE #
1	#51	1	#27	1	#42	1	#28	1	#45
2	#86	2	#36	2	#55	2	#73	2	#46
3	#88	3	#37	3	#84	3	#96		
4	#109	4	#63	4	#111	4	#120		

CHECKED



HUNTER 39

DC HULL HARNESS

DRAWING TITLE			
DC HULL HARNESS			
DRAWN BY:	DATE:	SHEET	OF
KREAU	JAN-12-2010	2	2
SCALE:	REVISION	DRAW #	
0.026	1BD		

PROPERTY INFORMATION: THIS DRAWING CONTAINS INFORMATION FOR WHICH HUNTER MARINE CORPORATION HAS PROPERTY RIGHTS