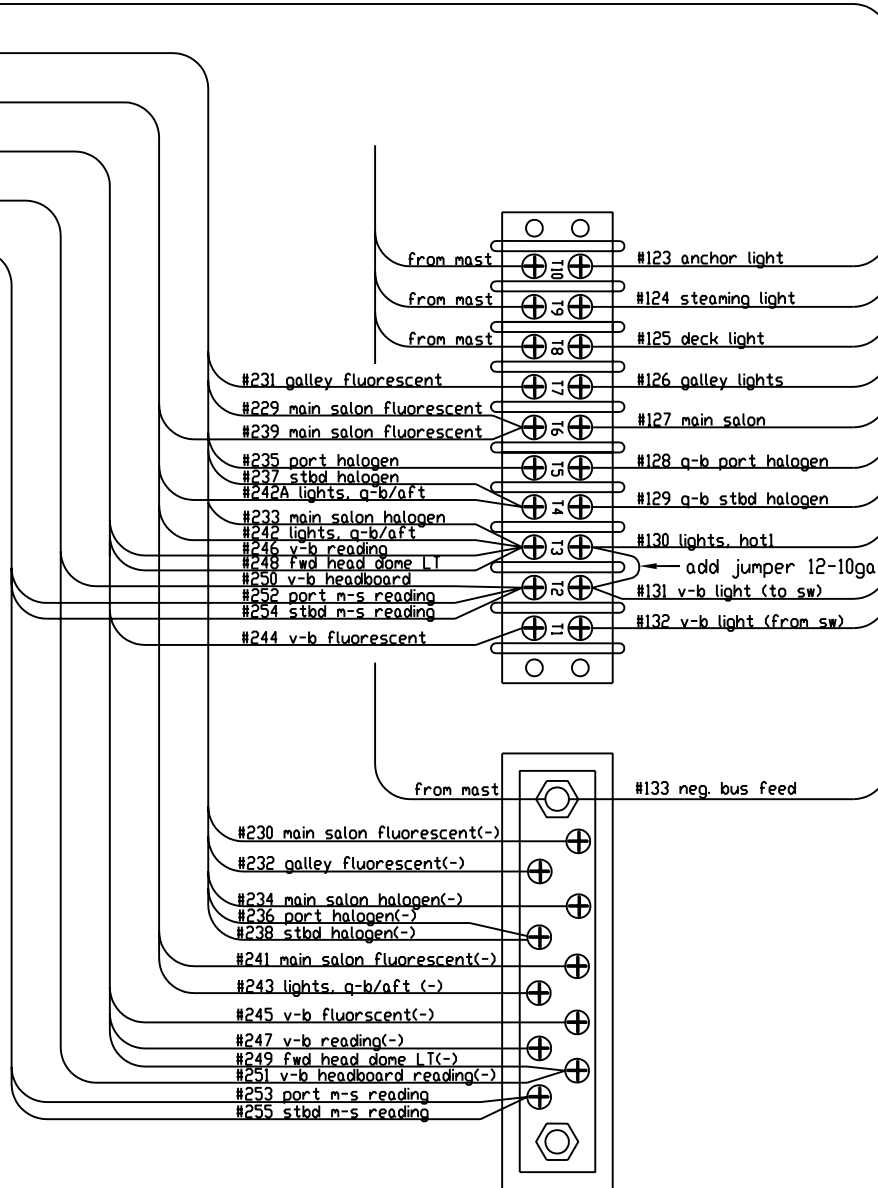


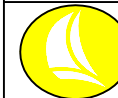
SYMBOL	REVISIONS	DATE	ENG
A	ADDED 242A TO T4	7/03/2003	JLK

HULL HARNESS PART 5

- DECK HARNESS PART 1
- DECK HARNESS PART 2
- DECK HARNESS PART 3
- DECK HARNESS PART 4A
- DECK HARNESS PART 4B



PROPRIETARY INFORMATION: THIS DRAWING CONTAINS INFORMATION FOR WHICH HUNTER MARINE CORPORATION HAS PROPRIETARY RIGHTS



HUNTER

396

DRAWING TITLE:

HULL TO DECK TERMINAL BLOCK SCHEMATIC

DRAWN BY: JLK	DATE: 04-Mar-03	SHEET 1	OF 1
SCALE: 0.045	HUNTER PART NO. TBD	REVISION -	DRAW # drawing number

CHECKED