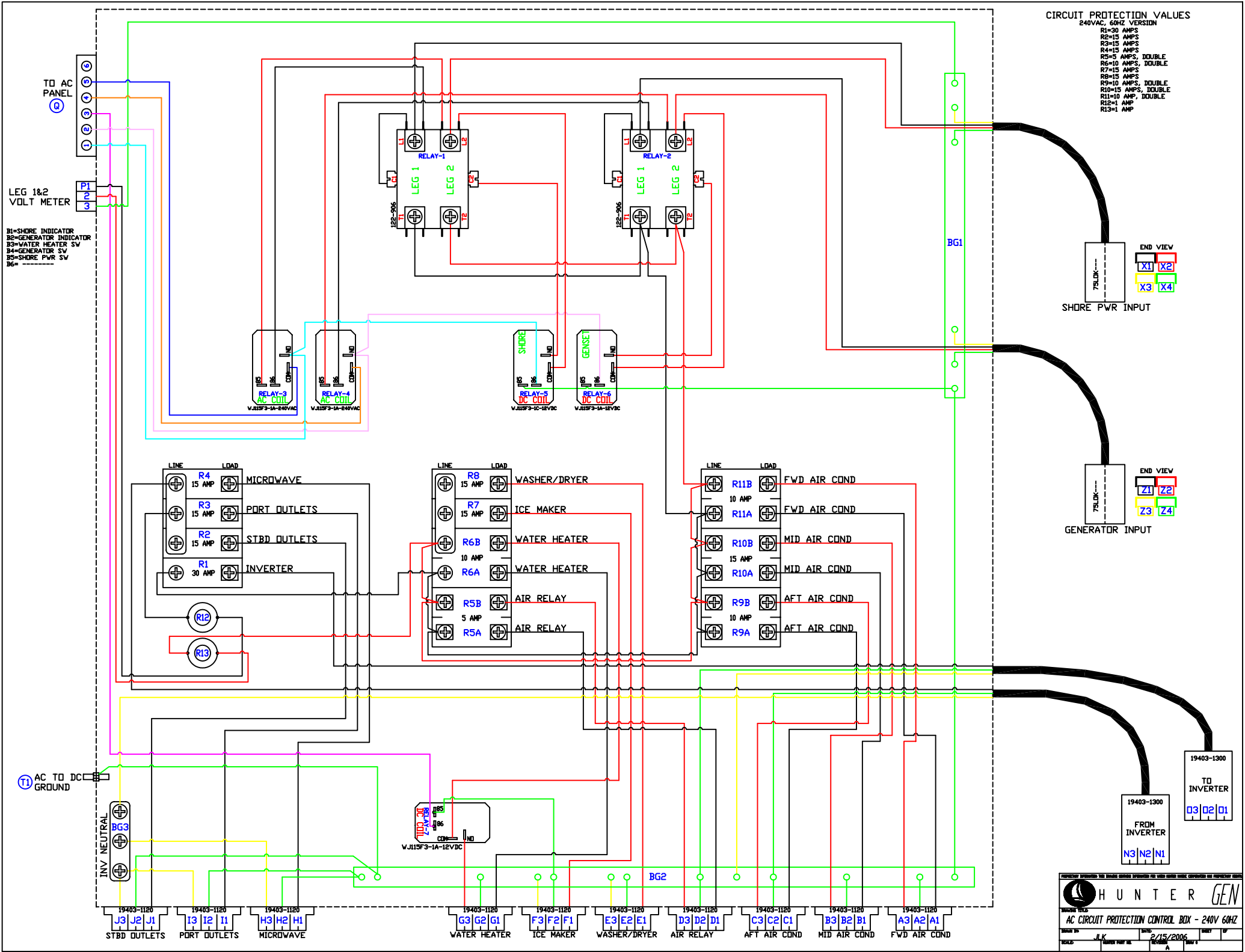


CIRCUIT PROTECTION VALUES
240VAC, 60HZ VERSION

- R1=30 AMPS
- R2=15 AMPS
- R3=15 AMPS
- R4=15 AMPS
- R5=5 AMPS, DOUBLE
- R6=10 AMPS, DOUBLE
- R7=15 AMPS
- R8=15 AMPS
- R9=10 AMPS, DOUBLE
- R10=15 AMPS, DOUBLE
- R11=10 AMP, DOUBLE
- R12=1 AMP
- R13=1 AMP



B1=SHORE INDICATOR
B2=GENERATOR INDICATOR
B3=WATER HEATER SV
B4=GENERATOR SV
B5=SHORE PWR SV
B6=

